



30%

LIGHT EFFICIENCY

1.0

THROW RATIO

QUICK

INSTALLATION

# HUB005

## THE BRIGHTEST 3D CINEMA SYSTEM

### FOR THEATERS LOOKING TO PROVIDE THE HIGHEST-QUALITY 3D EXPERIENCE

Show your 3D movies in the best possible light. The latest version of our HUB005 cinema system takes 3D to new levels of brightness and picture quality — with better light efficiency, more vivid colors, and sharper images than any other 3D system. Based on our patented, innovative three-beam optical system, the HUB005 delivers an industry-leading light efficiency of 30%, establishing a new standard for premium 3D cinema.

### SLIM BODY, COMPACT DIMENSION

HUB005 has the world's smallest dimension of the body, applied to projection window of even 300mm height and to more than 95% of theater hall.

### HIGH BRIGHTNESS, NO COLOR DIFFERENCE, LOW GHOSTING RATE

HUB005 use accurate and efficient optical components and high transmittance polarizer, with LCD of speed response, to achieve high light 3d projection and reach the effect with accurate restore color.

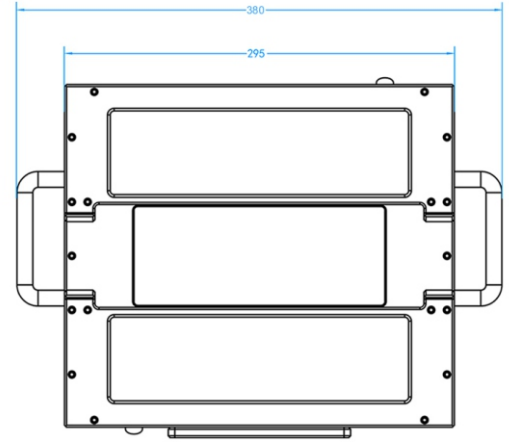
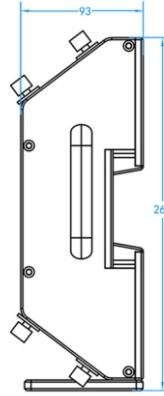
### LOW THROW RATIO

HUB005 reached a maximum throw ratio of 1.0:1, and also can use the large screen even in a very short distance.

### ALL-ELECTRIC DESIGN, ACCURATE POSITIONING, QUICK INSTALLATION

HUB005 adopts modular design and vertical motor positioning with one click. The fastest time of installation and commissioning only needs 45 minutes.

# HUB005 TECHNICAL OVERVIEW



## SPECIFICATION

TECHNOLOGY	LIGHT EFFICIENCY	TRANSMITTANCE	CROSSTALK	THROW RATIO	PARTS WARRANTY
Liquid Crystal Polarization Modulator	30% ± 1%	74% ± 2%	Less than 1%	1.0:1	2 Years

## CONTACT

Tel: +86 755 27728533

Fax: +86 755 27728522

Web: <http://www.chinaanger.com>

Skype: jacky\_2113@hotmail.com

Whatsapp, Wechat, Cell phone :+86 15013839658